

Tools Required

Saw – Hand Saw will work – Miter Saw is Best
Drill
5/16” Drill Bit
Pencil
Measuring Tape
Phillips Screw Driver – Or Bit for Drill
Wood Glue
(2) Clamps
Coarse Sandpaper
Medium (150) Sandpaper

Tools Nice to Have

Drill Press
Router with 1/4” Roundover Bit
6” Square

Purchase Quantities of Wood

Premium Wood
(2) 1” x 4” x 7’ long (minimum) or 8’ long standard
(1) 1” x 3” x 8’ long
(1) 1” x 3” x 3’ long (minimum)

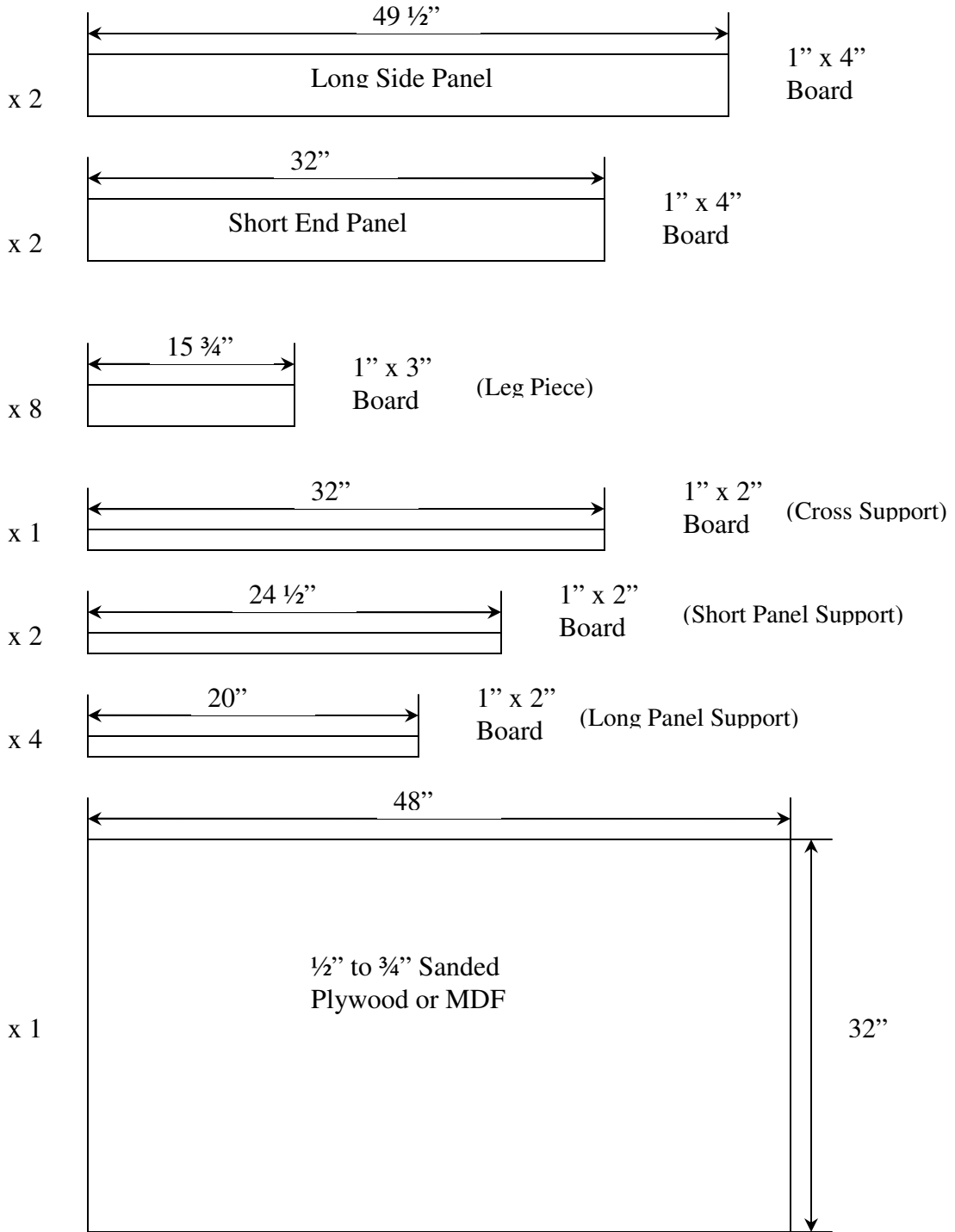
Lower Grades for Supports
(2) 1” x 2” x 8’ long

Sanded BC Plywood or MDF
1/2” to 3/4” thick x 48” x 32” (exact)

Hardware Required

(16) 1/4” x 2” Rounded Head Zinc Carriage Bolts
(16) 1/4” Nuts & (16) 1/4” Flat Washers
(20) No. 6 x 1 1/4” Fine Thread Drywall Screws

**Wood Cuts Required for
Standard 48" x 32" x 16" Tall**



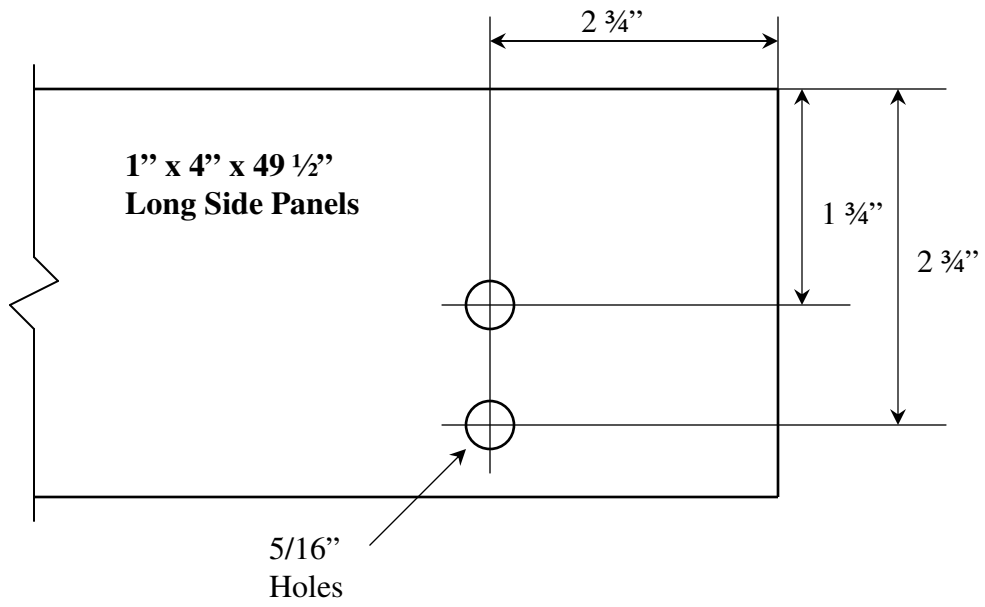


Figure 1

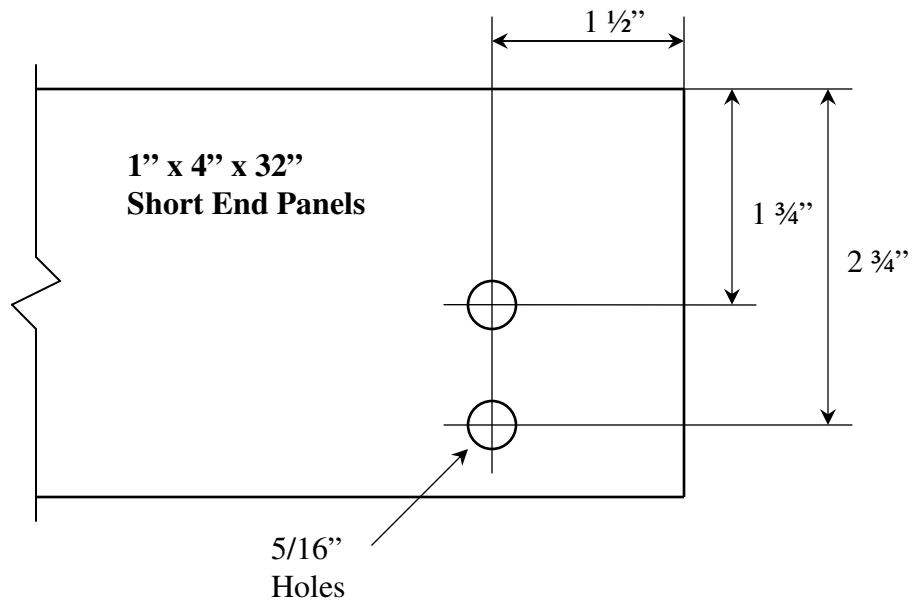


Figure 2

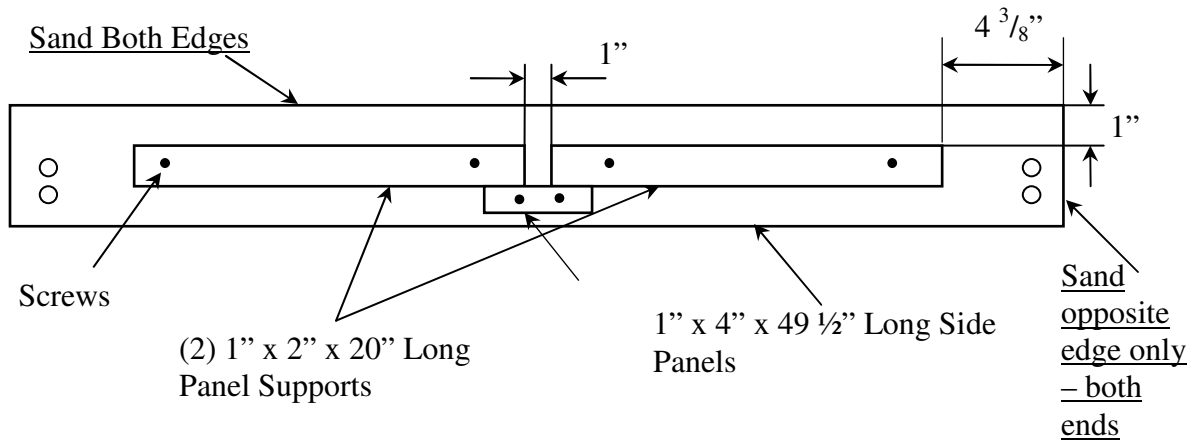


Figure 3

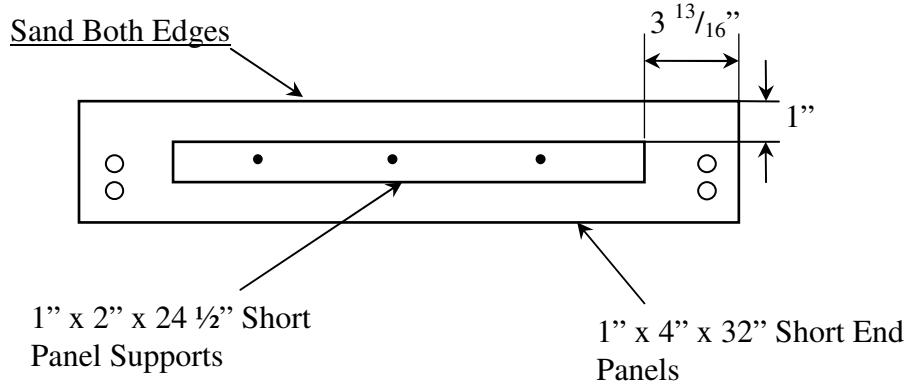


Figure 4

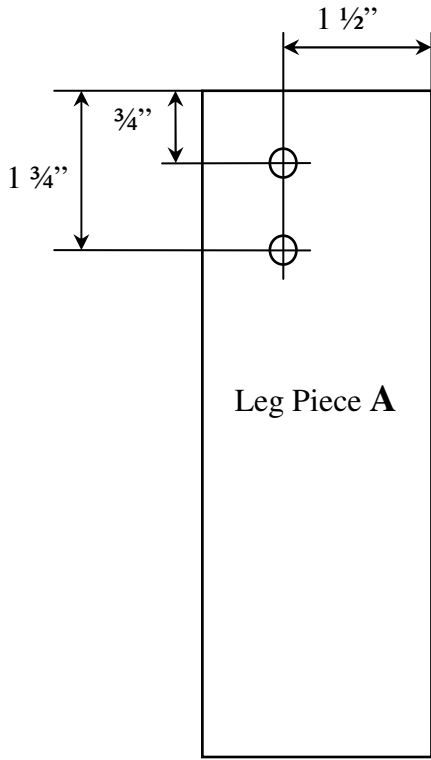


Figure 5

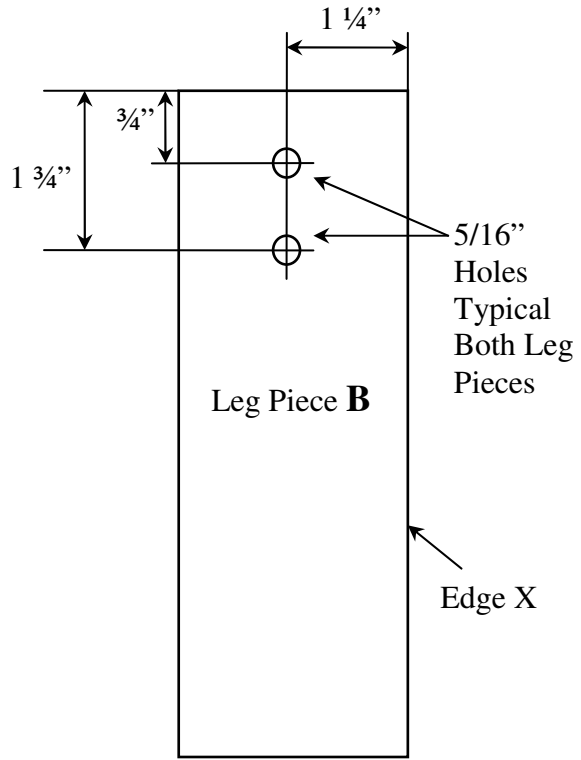
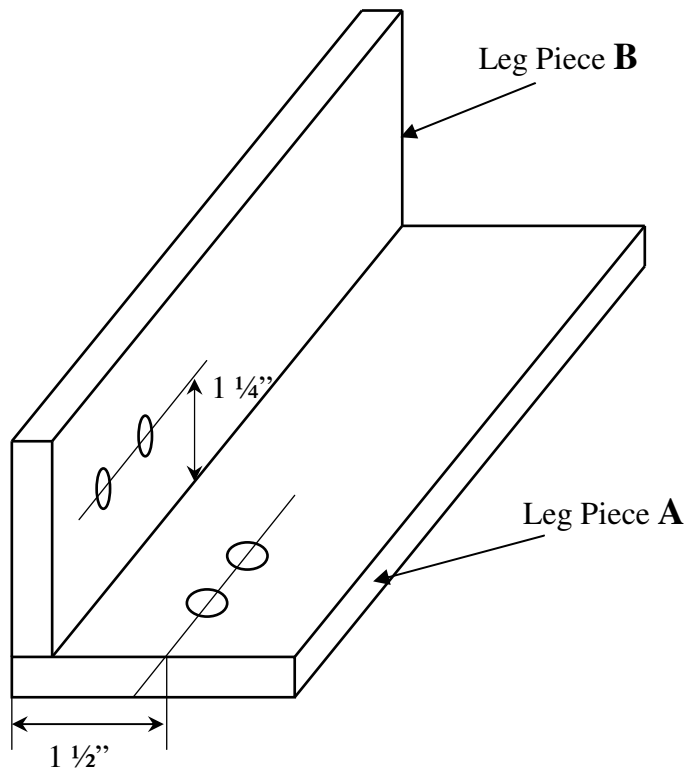
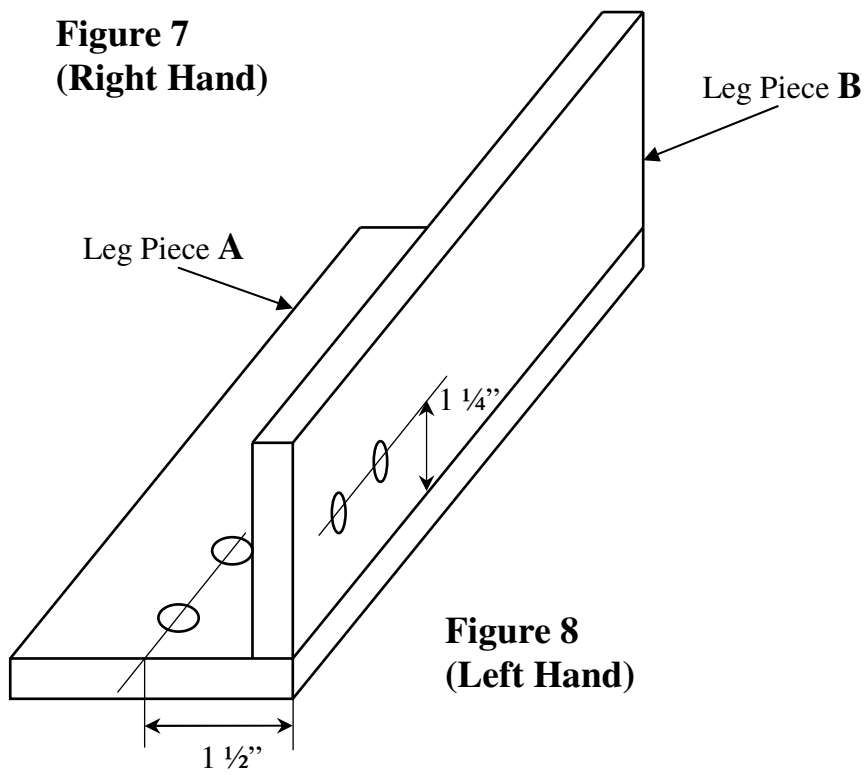


Figure 6



**Figure 7
(Right Hand)**



**Figure 8
(Left Hand)**

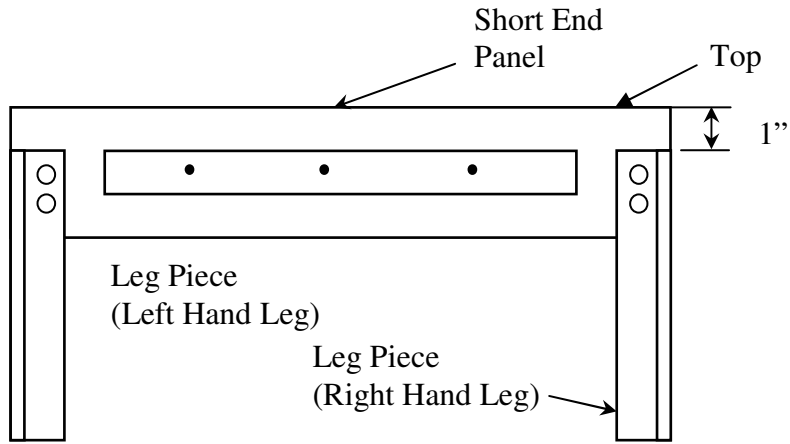


Figure 9

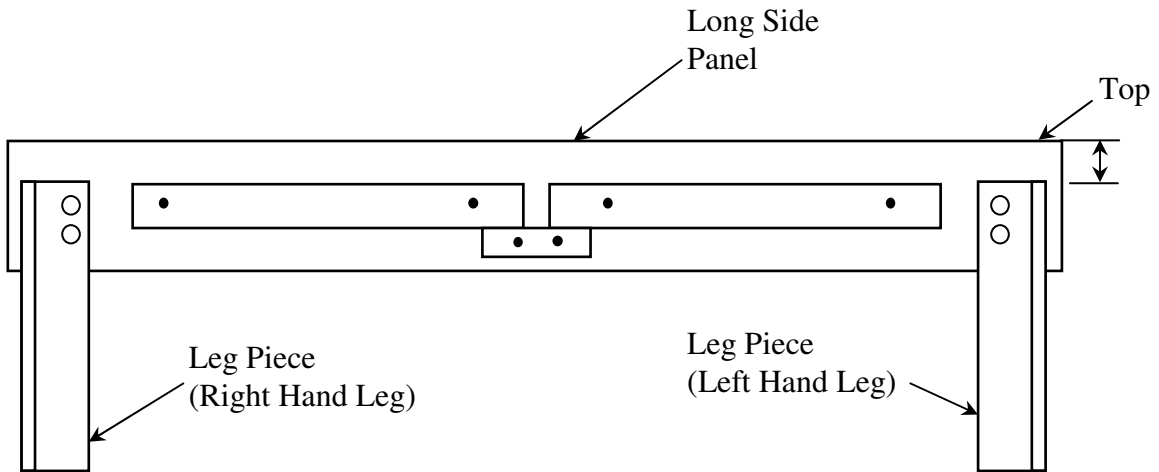


Figure 10